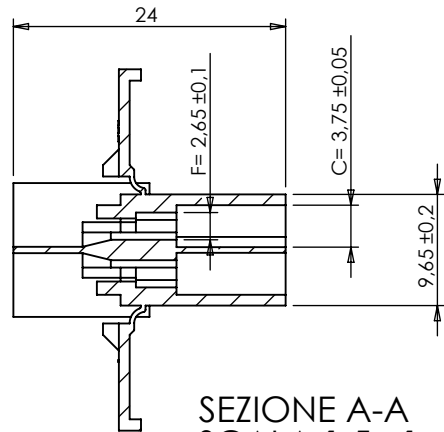
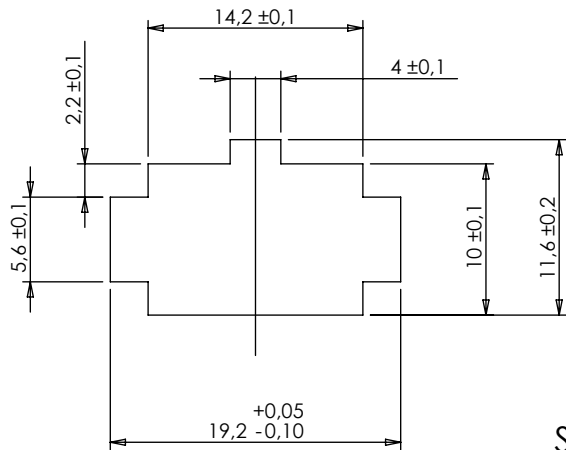
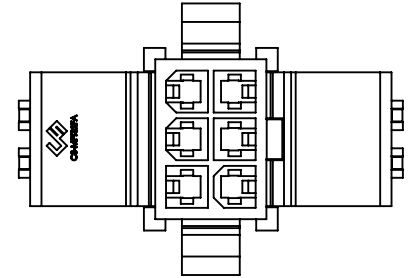
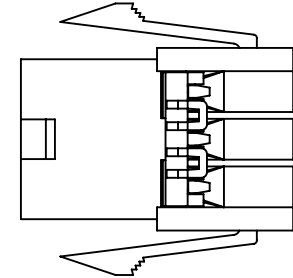
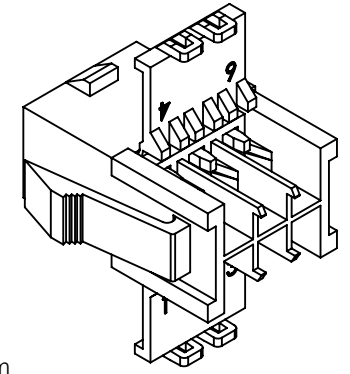
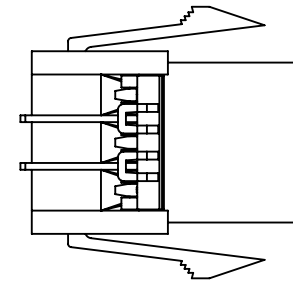
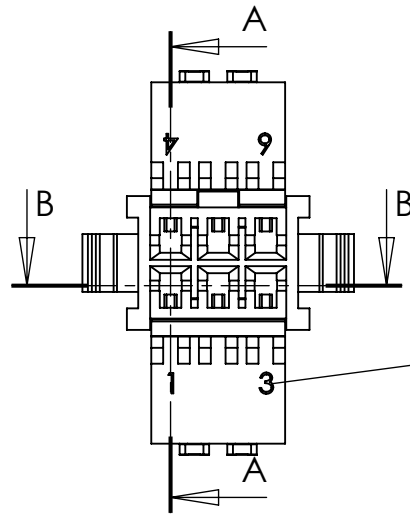


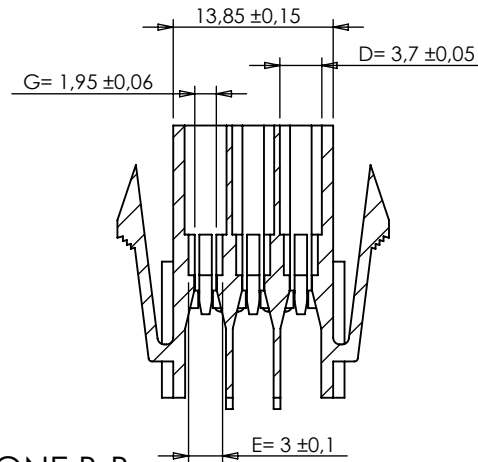
This drawing and all informations contained here can not be used or reproduced, integrity or partially, without written authorization by Colombo Sergio & Figli.



SEZIONE A-A
SCALA 1.5 : 1

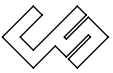
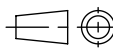


SEZIONE B-B
SCALA 1.5 : 1



Spessore lamiera 0,8 - 2 mm

DIMENSIONS WITHOUT TOLERANCES		CS-MFT32FAV0	PA6/66 UL94 V-0
∠ ±2°	0 - 6	±0.1	CS-MFT32FAV0750NF PA66 UL94 V-0 GWIT 775
	6 - 30	±0.2	CS-MFT32FA-G PA6 UL94 V-2 GWIT 775
	> 30	±0.3	PART NUMBER MATERIAL

INDEX	MODIFICATION	DATE
 COLOMBO SERGIO e Figli S.r.l. 20063 CERNUSCO S/N - VIA COMO, 11 TEL +39.02.9210.7404 - FAX +39.02.9210.0217 http://www.cscolombo.com - e-mail: info@cscolombo.com		
CHECKED BY	DATE	DESIGN UNITS
Stefano Galimberti	15-02-2012	METRIC
DRAWN BY	DATE	WEIGHT
Stefano Querzoli	15-02-2012	
SCALE	CAD REFER	SIZE
1.5:1	Y:\dis\cs\mft\mftxxf\mftxxfa sec lock\tavole\	A4
BASE CODE	DESCRIPTION	
CS-MFT32FA	MFT FEMALE CONNECTOR FOR PANEL, 3X2 POLES	

E D C B A

1

2

3

4

1

2

3

4