

H G F E D C B A

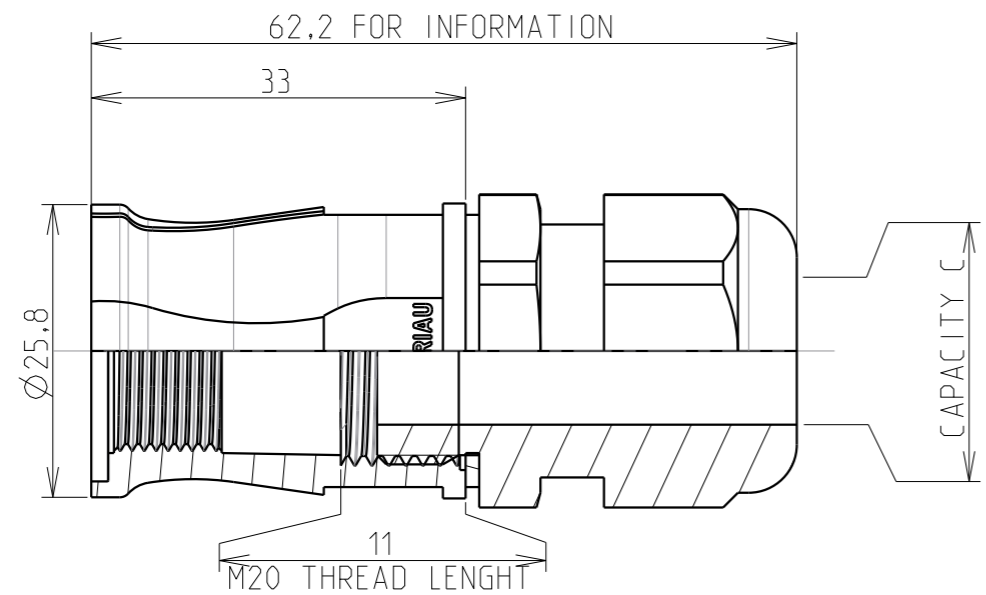
A.4: Validé

4

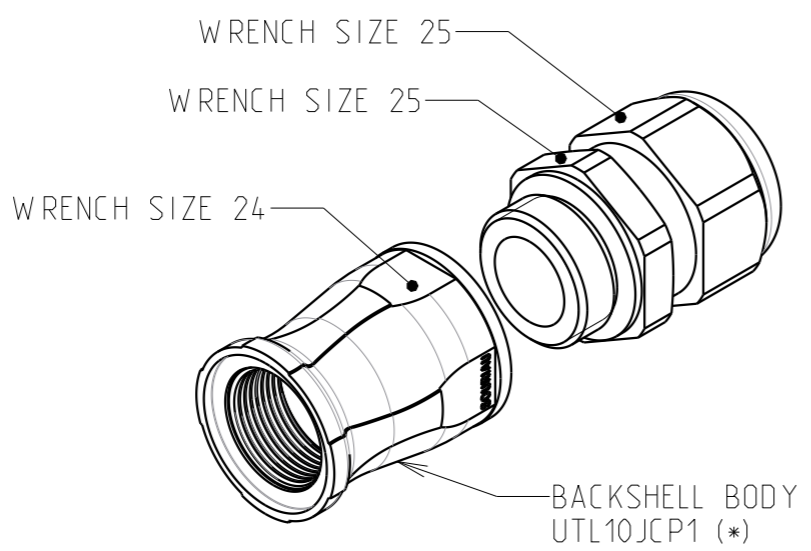
3

2

1



COUPE A-A
ECHELLE 3/2



BACKSHELL BODY
UTL10JCP1 (*)

SOURIAU shall not be liable for any non-conformity or damage due to a use of the Products which does not comply with the Specifications issued by either of the Parties or by a third party (professional recommendation, technical notice.)

NOTES

MASS ± 5%	20.5 g
-----------	--------

MATERIALS

BACKSHELL BODY **BLACK POLYAMID**
CABLE GLAND **BLACK POLYAMID + CR**

PERFORMANCES CHARACTERISTICS

MECHANICAL		
TEMPERATURE CLASS	IEC61984/UL1977	-40°C TO 105°C
SEALING IN ASSEMBLY CONDITIONS	IEC60529	IP68 1BAR DURING 1WEEK
	DIN40050	IP69K
CORROSION SALT SPRAY		MIN 1000H

ROHS COMPLIANT

- COUNTERPART REFERENCE UTL THREADED PLUG OR THREADED RECEPTACLE
- CONNECTORS ARE DELIVERED AS PRE-ASSEMBLED KIT
- CAPACITY C : Ø6.5 / Ø12
- (*): OPTIONAL ORDERING PART NUMBERS TO BE ORDERED SEPARATELY
- UNIT IN MM

Country	Jurisdiction & Control List
FR	NOT LISTED

P/N : UTL10JC

A	13/2/18	Creation	
ISS	DATE	Latest modification - by:	MOD N°
		R.M. Date: 13/2/18	CUSTOMER DRAWING
TITLE		THREADED BACKSHELL ASSEMBLY SIZE 10 UTL CONNECTOR	
Scale	1/1	General linear Tolerances: ± 0.2	NPRDS / PROJECT BE170912A
SOURIAU		WWW.SOURIAU.COM	
This document is the property of SOURIAU It must not be reproduced or communicated without permission			
FORMAT	SOURIAU DRG N°		SHEET
A3	UTL1-0107A-C		1 / 1

H G F E D C B A