

REVISION -
08/14/96 TS

REVISION A
REFORMATTED
08/22/96 TS

REVISION B
REFORMATTED
07/15/97 TS

REVISION C
CHANGED A.7.
08/20/99 TS

REVISION D
ADDED RoHS
01/12/06 MP

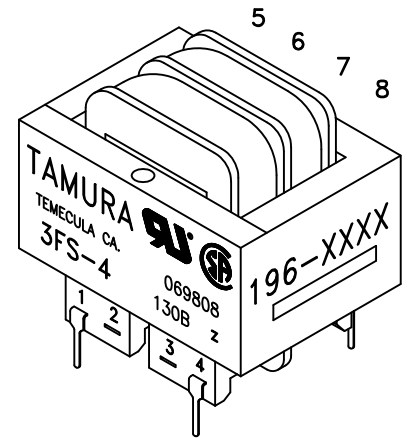
REVISION E
SAFETY UPDATED
FUSE INFO
ADDED
6-22-09 MP

A. Electrical Specifications (@ 25°C)

1. Maximum Power: 6.0 VA
2. Input Voltage and Frequency: 115V 50/60 Hz
3. Secondary Voltage: See Table A
4. Voltage Regulation: 18% TYP @ full load to no load
5. Temperature Rise: 35°C TYP (45°C MAX allowed)
6. Insulation Resistance:
 - 100 MΩ MIN @ 500VDC, Pri to Sec, Pri to Core
 - 100 MΩ MIN @ 500VDC, Sec to Core
7. Hi-Pot: 2500 Vrms 1 minute @ Pri to Sec
1500 Vrms 1 minute @ Pri to Core
1500 Vrms 1 minute @ Sec to Core
500 Vrms 1 minute @ Sec to Sec



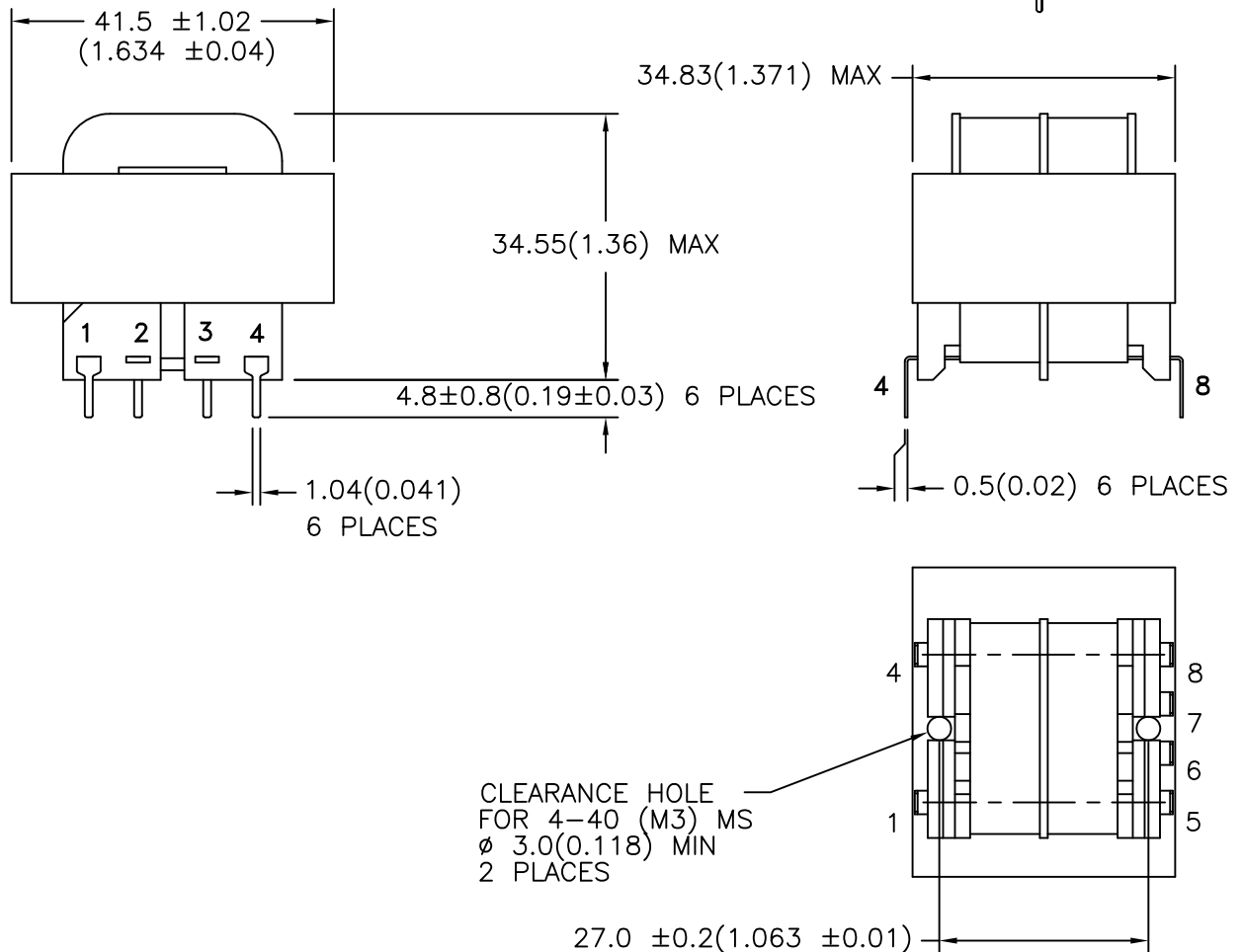
B. Marking: TAMURA, Tamura part number (see sheet 2), MICROTRAN, Microtran part number (see sheet 2), date code, country of origin, safety logos and input and output ratings



C. Safety:

Insulation Class B (130°C) File No. E92957
 CSA 22.2 No. 66-1988, File No. 069808.
 UL 1585, Class 2 or 3, Noninherently limited,
 File No. E95844.
 UL 506, General Purpose, File No. E91239

D. Mechanical Specifications:



PREPARED BY:
E. BRINER

ENGINEER:
M. PITCHAI
SAFETY ENGINEER
B.O.

DRAWING CONTROL NO. P-A1-11647
REV E
CONTENTS OF THIS DRAWING ARE SUBJECT TO CHANGE WITHOUT PRIOR NOTICE

MODEL DESCRIPTION
SIZE 4 3FS & PSS FAMILY
POWER TRANSFORMER
TAMURA CORPORATION OF AMERICA
1040 SOUTH ANDREASEN DRIVE, #100 ESCONDIDO, CA. 92029
(951) 699-1270 FAX 7607400536

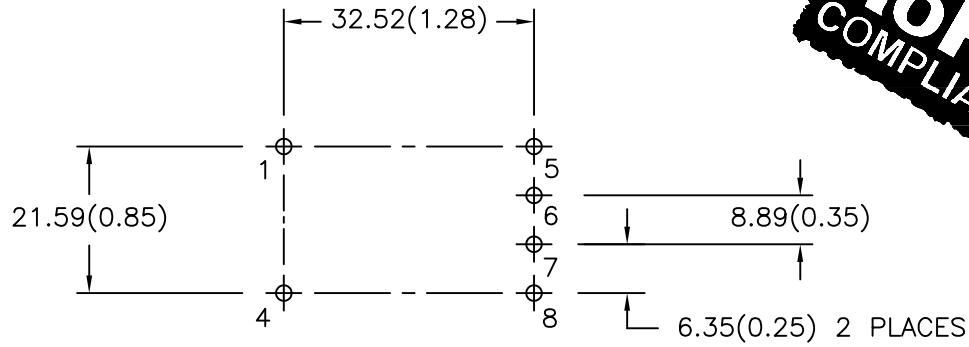
MODEL SPECIFICATION
3FS-4XX & PSS4-XX
DIM: mm[In] SCL: NONE SH: 1 OF 2

APPROVED:
T. BROOKS

PROPRIETARY NOTICE: THIS DRAWING PRINT OR DOCUMENT AND SUBJECT MATTER DISCLOSED HEREIN ARE PROPRIETARY ITEMS TO WHICH TAMURA RETAINS THE EXCLUSIVE RIGHT OF DISSEMINATION, REPRODUCTION, MANUFACTURE AND SALE. THIS DRAWING, PRINT OR DOCUMENT IS SUBMITTED IN CONFIDENCE FOR CONSIDERATION BY THE RECIPIENT ALONE UNLESS PERMISSION FOR FURTHER DISCLOSURE IS EXPRESSLY GRANTED IN WRITING.

REV. Status
REVISION -
FOR REVISION
HISTORY

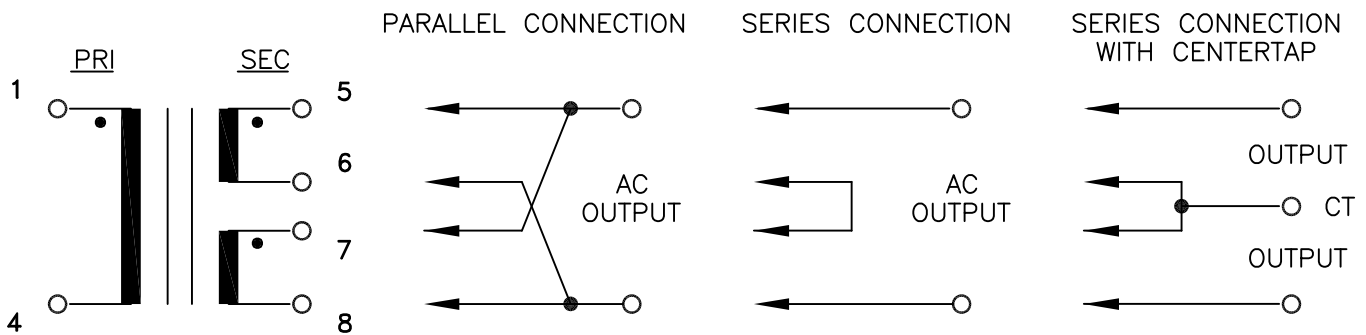
E. Mounting Footprint:



MODEL NUMBER

3FS-4XX & PSS4-XX

F. Schematic Diagram:



*Not UL - recognized for series connect.

G. Table A: (NOTE: all parts are dual marked with both part numbers)

UL APPROVED FUSE

TAMURA PART NO.	MICROTRAN PART NO.	PARALLEL		SERIES		SERIES WITH CT		SECONDARY FUSE REQUIRED EACH WINDING
		AC VOLTS	RMS AMPS	AC VOLTS	RMS AMPS	AC VOLTS	RMS AMPS	
3FS-410	PSS4-10	5.0	1.20	10.0	0.60	5.0-CT-5.0	0.60	0.75A
3FS-412	PSS4-12	6.3	1.00	12.6	0.50	6.3-CT-6.3	0.50	0.63A
3FS-416	PSS4-16	8.0	0.80	16.0	0.40	8.0-CT-8.0	0.40	0.50A
3FS-420	PSS4-20	10.0	0.60	20.0	0.30	10.0-CT-10.0	0.30	0.40A
3FS-424	PSS4-24	12.0	0.50	24.0	0.25	12.0-CT-12.0	0.25	0.315A
3FS-428	PSS4-28	14.0	0.40	28.0	0.20	14.0-CT-14.0	0.20	0.25A
3FS-436	PSS4-36	18.0	0.34	36.0	0.17	18.0-CT-18.0	0.17	0.20A
3FS-448	PSS4-48	24.0	0.25	48.0	0.125	24.0-CT-24.0	0.125	0.15A
3FS-456	PSS4-56	28.0	0.22	56.0	0.11	28.0-CT-28.0	0.11	0.15A
3FS-4120	PSS4-120	60.0	0.10	120.0*	0.05	60.0-CT-60.0	0.05	N/A

PREPARED BY:

E. BRINER

ENGINEER:

M. PITCHAI

SAFETY ENGINEER

B.O.

APPROVED:

T. BROOKS

DRAWING CONTROL NO.

P-A1-11647

REV

E

MODEL DESCRIPTION

SIZE 4 3FS & PSS FAMILY
POWER TRANSFORMER

MODEL SPECIFICATION

3FS-4XX & PSS4-XX

CONTENTS OF THIS DRAWING ARE
SUBJECT TO CHANGE WITHOUT
PRIOR NOTICE

TAMURA CORPORATION OF AMERICA
1040 SOUTH ANDREASEN DRIVE, #100 ESCONDIDO, CA. 92029
(951) 699-1270 FAX 7607400536

DIM: mm[In] SCL: NONE SH: 2 OF 2

PROPRIETARY NOTICE: THIS DRAWING PRINT OR DOCUMENT AND SUBJECT MATTER DISCLOSED HEREIN ARE PROPRIETARY ITEMS TO WHICH TAMURA RETAINS THE EXCLUSIVE RIGHT OF DISSEMINATION, REPRODUCTION, MANUFACTURE AND SALE. THIS DRAWING, PRINT OR DOCUMENT IS SUBMITTED IN CONFIDENCE FOR CONSIDERATION BY THE RECIPIENT ALONE UNLESS PERMISSION FOR FURTHER DISCLOSURE IS EXPRESSLY GRANTED IN WRITING.