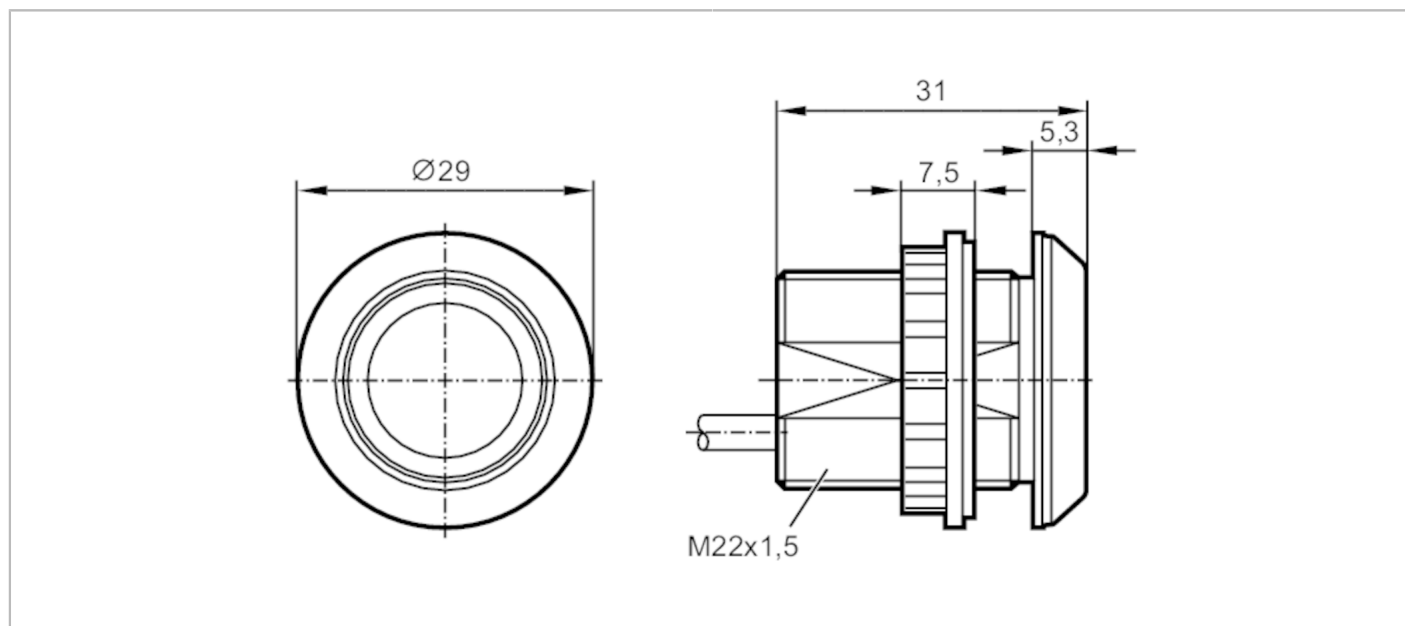


# KT5102



## Capacitive illuminated pushbutton

KTMDF-K-RBPKG/US/0,3M



| Product characteristics                         |      |                                      |
|---|------|--------------------------------------|
| Electrical design                               |      | PNP                                  |
| Output function                                 |      | normally open                        |
| Dimensions                                      | [mm] | Ø 29 / L = 31                        |
| Application                                     |      |                                      |
| Operating principle                             |      | dynamic                              |
| Electrical data                                 |      |                                      |
| Operating voltage                               | [V]  | 12...30 DC                           |
| Current consumption                             | [mA] | 30                                   |
| Protection class                                |      | III                                  |
| Reverse polarity protection                     |      | yes                                  |
| Max. power-on delay time                        | [ms] | 500                                  |
| Outputs   |      |                                      |
| Electrical design                               |      | PNP                                  |
| Output function                                 |      | normally open                        |
| Permanent current rating of switching output DC | [mA] | 200                                  |
| Short-circuit protection                        |      | yes                                  |
| Overload protection                             |      | yes                                  |
| Length of output signal                         | [ms] | 300                                  |
| Response times                                  |      |                                      |
| Response time                                   | [ms] | 35                                   |
| Operating conditions                            |      |                                      |
| Ambient temperature                             | [°C] | -40...85                             |
| Protection                                      |      | IP 65; IP 67; IP 69K; (on the front) |

# KT5102



## Capacitive illuminated pushbutton

KTMDF-K-RBPKG/US/0,3M

### Tests / approvals

|      |         |     |
|------|---------|-----|
| MTTF | [years] | 352 |
|------|---------|-----|

### Mechanical data

|            |      |   |
|------------|------|---|
| Weight     | [g]  | 55.5  |
| Dimensions | [mm] | Ø 29 / L = 31                                       |
| Materials  |      | PA 6.6-GF30 black; active face: PA Grilamid TR 90UV |

### Displays / operating elements

|         |                  |                |
|---------|------------------|----------------|
| Display | switching status | 1 x LED, red   |
|         | operation        | 1 x LED, green |

### Accessories

|                        |              |
|------------------------|--------------|
| Items supplied         | lock nuts: 1 |
|                        | Gasket: 1    |
| Accessories (optional) | symbol disc  |

### Remarks

|               |        |
|---------------|--------|
| Pack quantity | 1 pcs. |
|---------------|--------|

### Electrical connection - plug

Cable: 0.3 m, PUR

Connector: 1 x M12



### Connection

